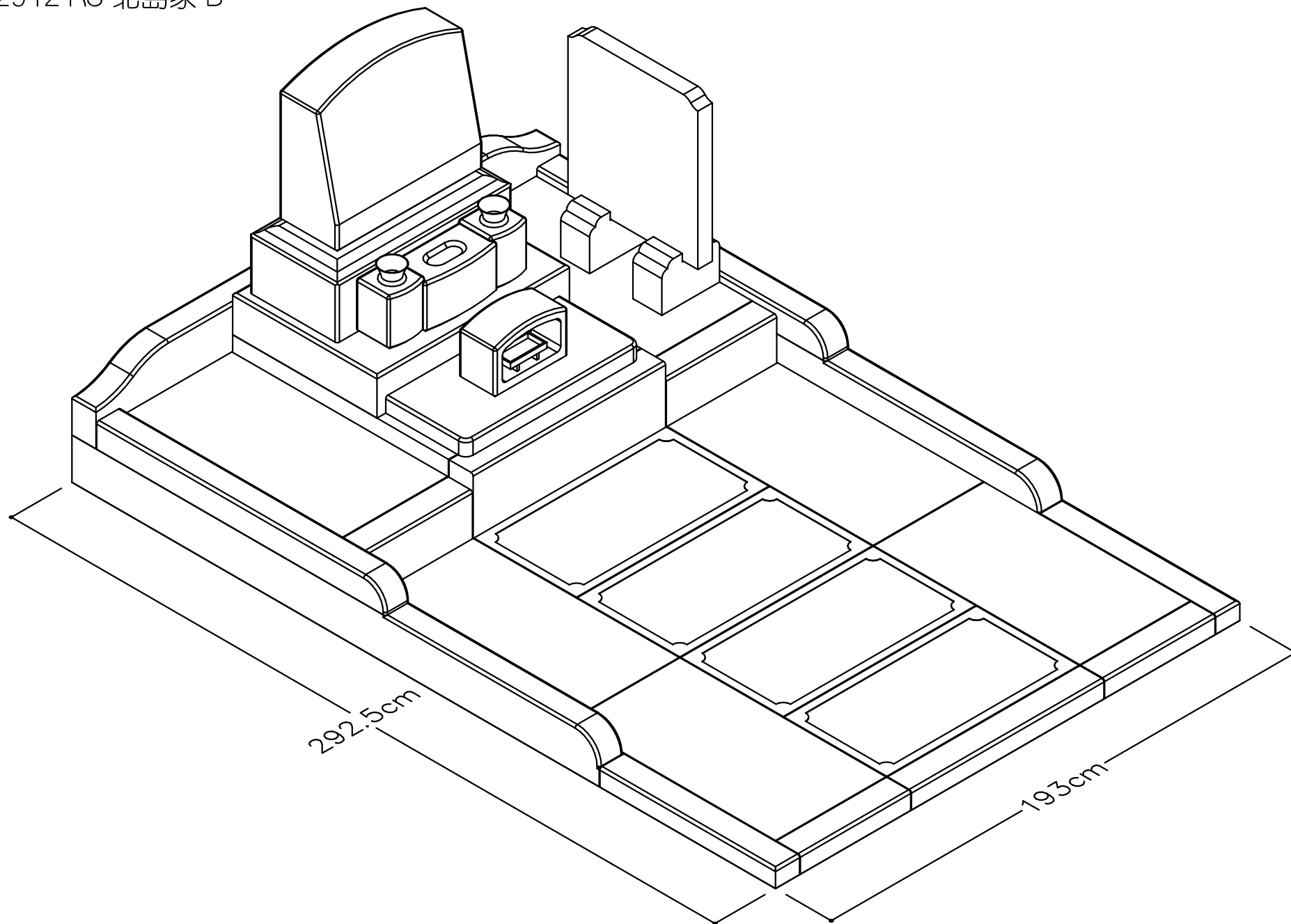
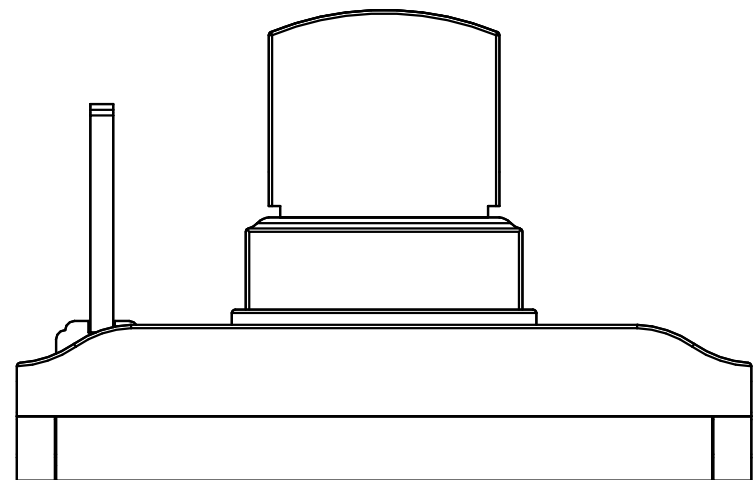
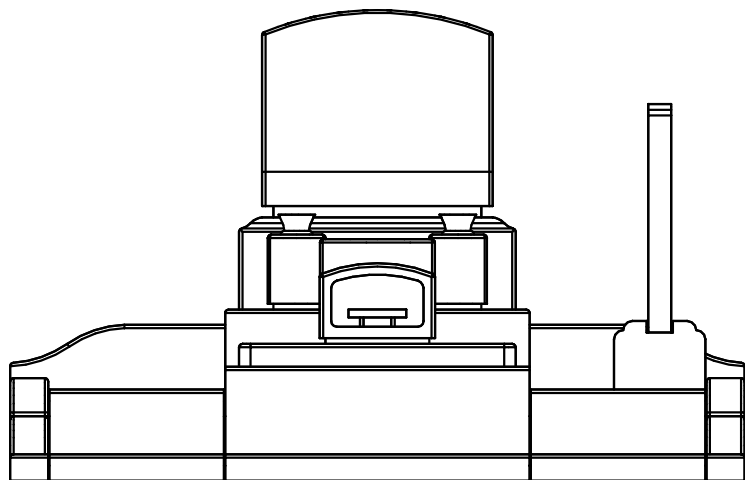
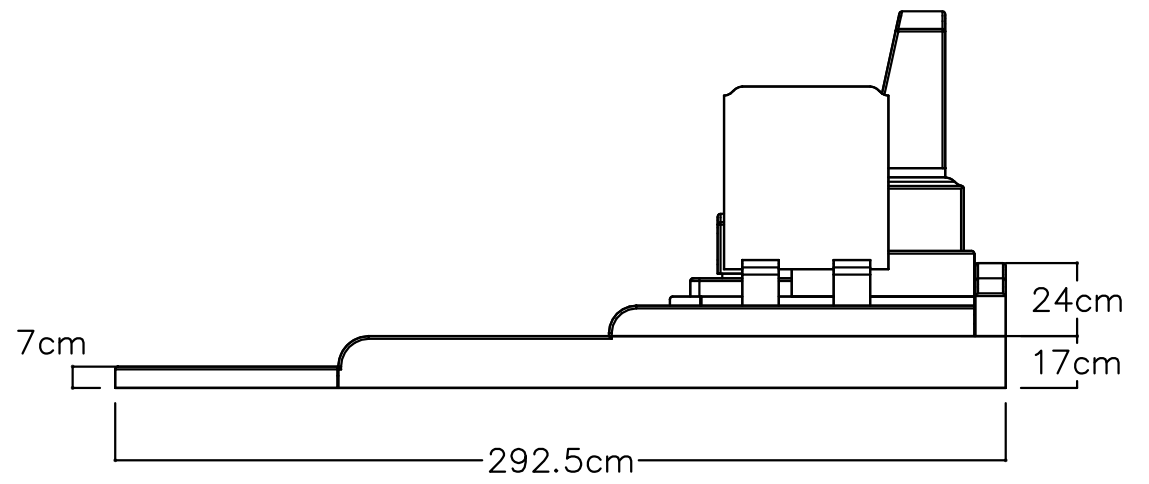
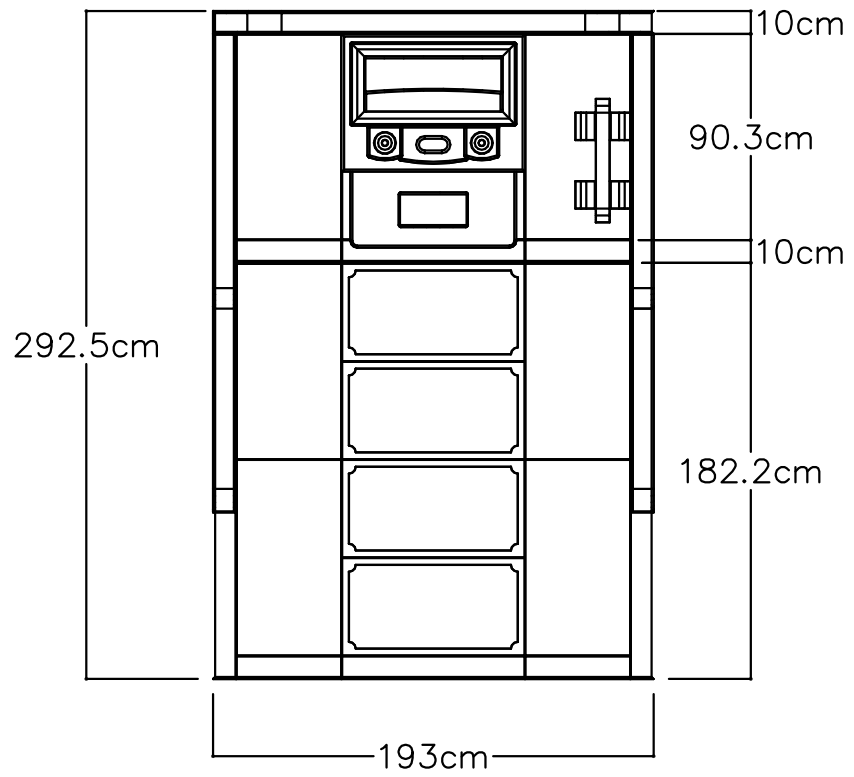


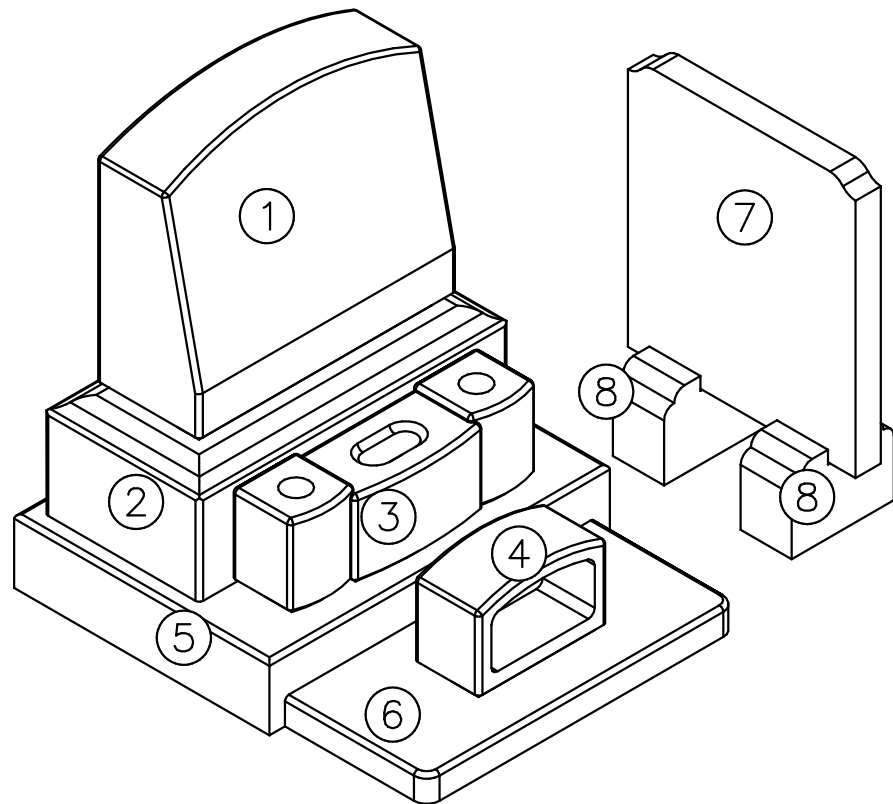
TJ-2912-RS 北島家-B





TJ-2912-RS 北島家-B

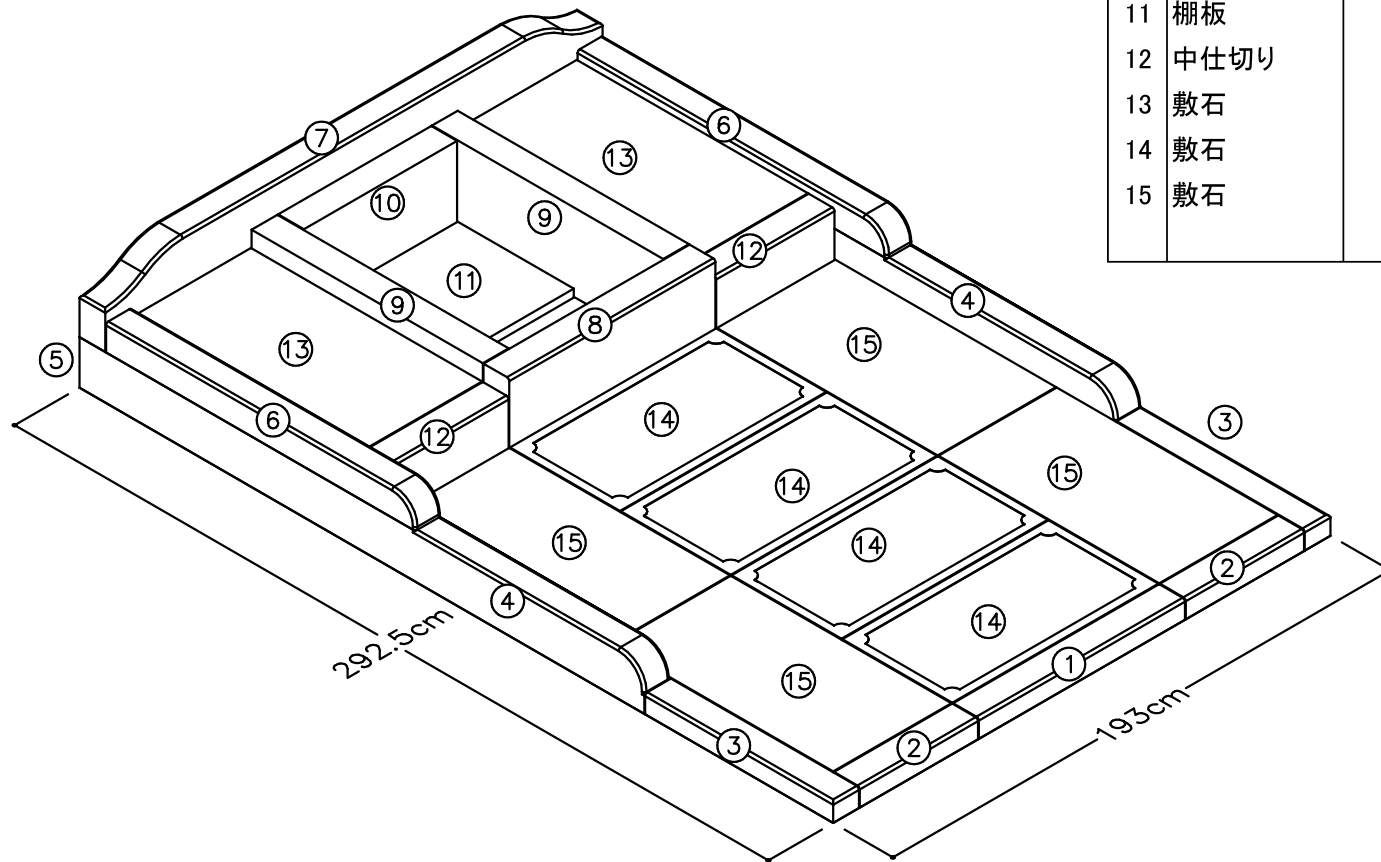
| | 品名 | 石種 | 寸法(cm) | | | 数 | 切数 |
|----|----------|----|--------|------|------|---|-------|
| | | | 間口 | 奥行 | 高 | | |
| 1 | 竿 | | 60.6 | 24.2 | 54.5 | 1 | 2.873 |
| 2 | 上台 | | 72.7 | 36.4 | 24.2 | 1 | 2.302 |
| 3 | 花立水鉢 | | 57.6 | 16.7 | 19.7 | 1 | 0.681 |
| 4 | 香炉 | | 30.3 | 15.2 | 21.2 | 1 | 0.351 |
| 5 | 芝台 | | 80.0 | 60.0 | 15.0 | 1 | 2.588 |
| 6 | 拝石 | | 72.7 | 33.3 | 6.0 | 1 | 0.522 |
| 7 | 墓誌 | | 6.0 | 54.0 | 60.0 | 1 | 0.699 |
| 8 | 墓誌下駄 | | 24.0 | 12.0 | 18.0 | 2 | 0.373 |
| 9 | ステンレス花立筒 | | | | | 2 | 0.000 |
| 10 | ステンレス香炉皿 | | | | | 1 | 0.000 |



10.389

TJ-2912-RS 北島家-B

目地：0.3cm



| | 品名 | 石種 | 寸法 (cm) | | | 数 | 切数 |
|----|------|----|---------|-------|------|---|-------|
| | | | 間口 | 奥行 | 高 | | |
| 1 | 根石前 | | 80.0 | 10.0 | 7.0 | 1 | 0.201 |
| 2 | 根石前 | | 45.9 | 10.0 | 7.0 | 2 | 0.231 |
| 3 | 根石横 | | 10.0 | 73.0 | 7.0 | 2 | 0.367 |
| 4 | 腰石横 | | 10.0 | 219.2 | 17.0 | 2 | 2.679 |
| 5 | 腰石後 | | 172.4 | 10.0 | 17.0 | 1 | 1.054 |
| 6 | 羽目横 | | 10.0 | 120.0 | 10.0 | 2 | 0.863 |
| 7 | 羽目後 | | 193.0 | 10.0 | 24.0 | 1 | 1.665 |
| 8 | 納骨前 | | 80.0 | 10.0 | 30.0 | 1 | 0.863 |
| 9 | 納骨側 | | 10.0 | 89.7 | 30.0 | 2 | 1.935 |
| 10 | 納骨後 | | 59.4 | 10.0 | 30.0 | 1 | 0.641 |
| 11 | 棚板 | | 59.4 | 45.0 | 3.0 | 1 | 0.288 |
| 12 | 中仕切り | | 45.9 | 10.0 | 24.0 | 2 | 0.792 |
| 13 | 敷石 | | 45.9 | 89.7 | 3.0 | 2 | 0.888 |
| 14 | 敷石 | | 80.0 | 42.7 | 3.0 | 4 | 1.473 |
| 15 | 敷石 | | 45.9 | 85.7 | 3.0 | 4 | 1.696 |

15.635